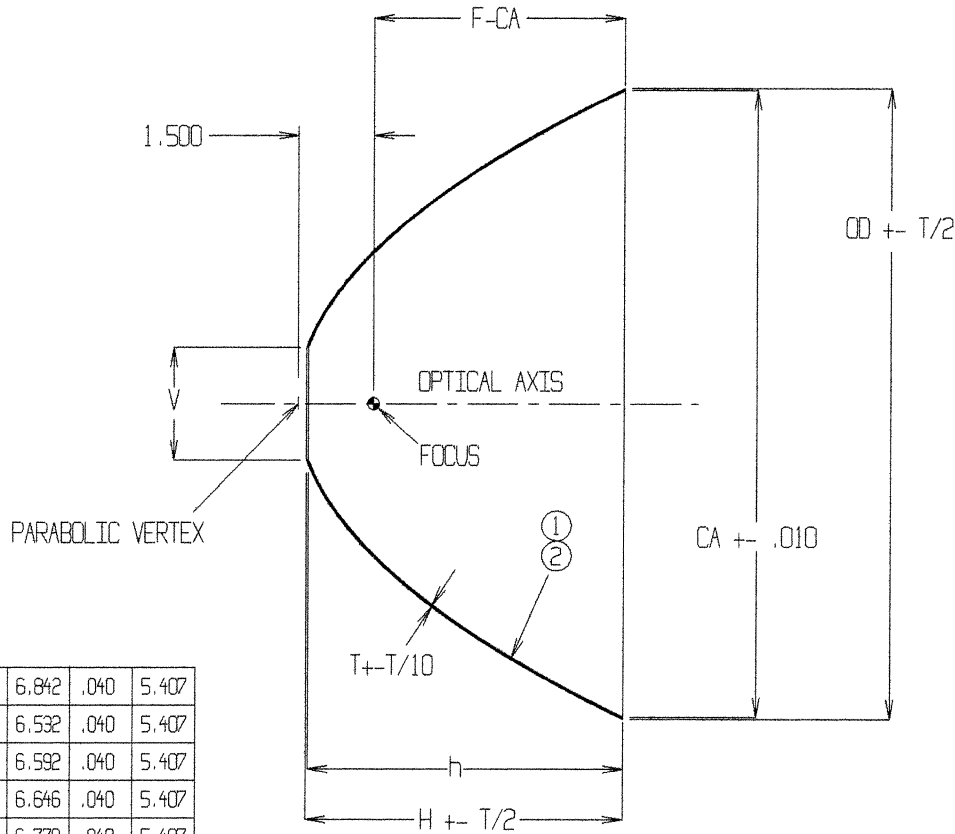


ALL CONCEPTS CONTAINED WITHIN THIS DRAWING ARE PROPRIETARY TO PHOENIX ELECTROFORMED PRODUCTS, INC.
AND MAY NOT BE CONVEYED TO THIRD PARTIES WITHOUT WRITTEN CONSENT

REVISIONS				
ZONE	REV	DESCRIPTION	DATE	APPROVED



.15	1.250	12.875	12.963	6.883	6.842	.040	5.407
.14	3.000	12.875	12.963	6.577	6.532	.040	5.407
.13	2.750	12.875	12.963	6.636	6.592	.040	5.407
.12	2.500	12.875	12.963	6.690	6.646	.040	5.407
.11	2.250	12.875	12.963	6.821	6.779	.040	5.407
.10	1.750	12.875	12.963	6.924	6.883	.040	5.407
.09	2.750	10.500	10.592	4.323	4.279	.040	3.094
.08	2.250	10.500	10.592	4.426	4.383	.040	3.094
.07	1.750	10.500	10.592	4.508	4.466	.040	3.094
.06	.750	10.500	10.592	4.611	4.594	.040	3.094
.05	2.750	9.500	9.595	3.489	3.445	.040	2.260
.04	1.750	9.500	9.595	3.674	3.633	.040	2.260
.03	.750	9.500	9.595	3.777	3.737	.040	2.260
.02	2.250	9.500	9.595	3.592	3.549	.040	2.260
.01	2.250	10.375	10.467	4.317	4.274	.040	2.985
#	V	CA	OD	H	h	T	CA-F

- ① SURFACE FINISH 80-50 SCRATCH-DIG PER MIL-D-13830A
- ② AVAILABLE REFLECTIVE ENHANCEMENT COATINGS:
 - AU ELECTRO-DEPOSITED GOLD
 - AF VACUUM DEPOSITED ALUMINUM / MAGNESIUM FLUORIDE (MgF2) OVERCOAT
 - AG VACUUM DEPOSITED ALUMINUM / QUARTZ (SiO2) OVERCOAT
 - RH ELECTRO-DEPOSITED BRIGHT RHODIUM

PARABOLIC EQUATION
 $Y^2 = 4FX$
 $F = 1.500$

<small>UNLESS OTHERWISE SPECIFIED DIMENSIONS ARE IN INCHES TOLERANCES ARE: FRACTIONS DECIMALS ANGLES +/- .116 .001 +/- .001 +/- .001</small>	<small>MATERIAL</small> ELECTROFORMED NICKEL		PHOENIX ELECTROFORMED PRODUCTS, INC.	
	<small>CONTRACT NO.</small> <small>APPROVALS</small> <small>DATE</small> <small>DRAWN</small> LB 5-7-09 <small>DESIGNED</small> <small>ENGR</small> <small>DESIGN ACTIVITY</small>			
<small>FINISH</small> 63/ <small>UNLESS OTHERWISE SPECIFIED</small>	<small>DO NOT SCALE DRAWING</small>		<small>SIZE</small> CAGE CODE <small>DWG NO</small> PAS <small>REV</small>	<small>SCALE</small> <small>SHEET</small>